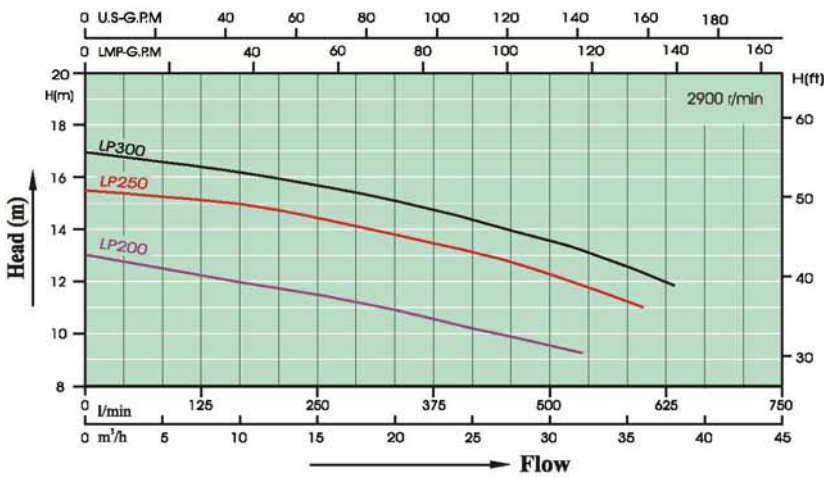




LP pumps

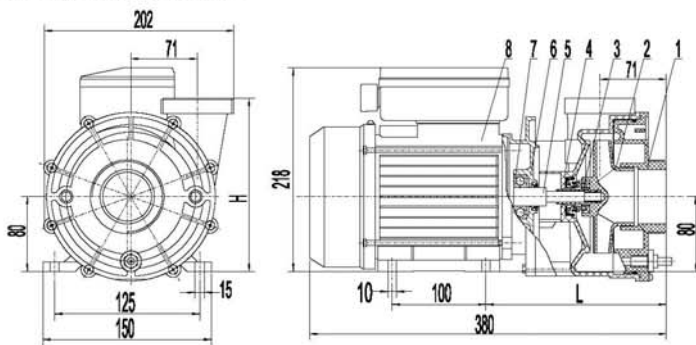
Performance curves



Features

- Design for high performance and super flow.
- 2" inlet and outlet for higher performance and lower noise.
- IPX5 Air cool motor design for low temperature rising.
- Capacitor running type for energy-saving.
- Thermal overload protector to prolong the motor's service life.
- Pump housing could be 90° flexible installation for easy pipework.
- Perfect for SPA system and swimming pool.

Installation Structure



1. Pump cover
2. Impeller
3. Mechanical Seal
4. Pump casing
5. Pump shaft
6. Front cover
7. Bearing
8. Motor

Model	Q _{max} (L/min)	H _{max} (m)	Power(P ₁)		H1	H	L	Weight (Kg)	Packing size (mm)
			kW	HP					
LP200	535	13	1.5	2.0	80	218	380	12.5	418×235×255
LP250	600	15.5	1.85	2.5	80	218	380	13.5	418×235×255
LP300	635	17	2.2	3.0	80	218	395	15.5	427×235×270